



EXF-10KM-5K

5K60Hz 4:2:0 SDVoE Fiber Extender

Quickstart Guide



WyreStorm recommends reading through this document in its entirety to become familiar with the product's features prior to starting the installation process.

IMPORTANT! Installation Requirements

- Visit the product page to download the latest firmware, document version, additional documentation, and configuration tools.
- Read through the [Wiring and Connections](#) section for important wiring guidelines before creating or choosing premade cables.

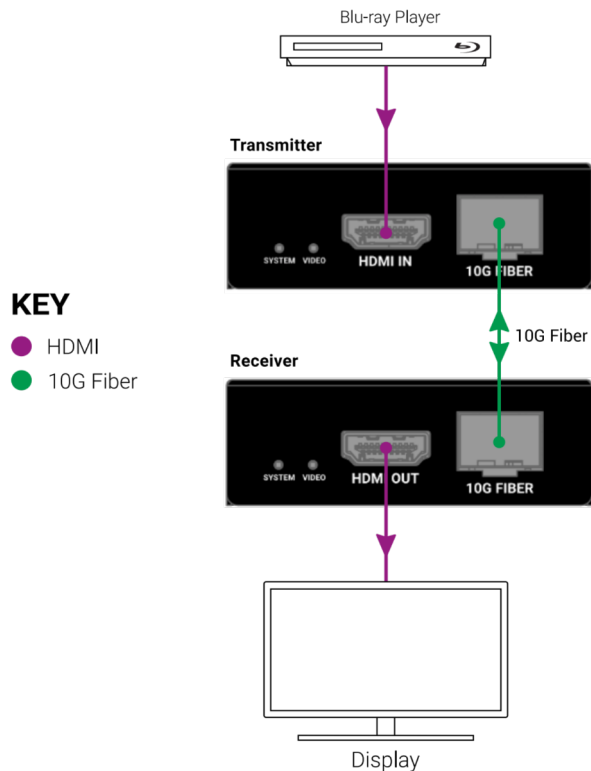
In the Box

- 1x EXF-10KM-5K Extender Set
- 4x Mounting Ears with Screws
- 2x 5V 2A DC Power Supply with US/UK/EU/AU Pins
- 2x 10G SFP+ Single-Mode Optical Transceiver
- 1x Quickstart Guide (this document)



Scan for Manual

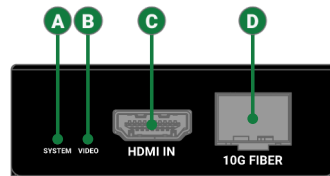
Basic Wiring Diagram



KEY

- HDMI
- 10G Fiber

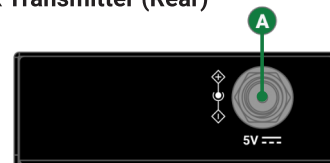
EXF-10M-5K Transmitter (Front)



- A System LED**
Solid On: The device is connected to a video source but not transmitting any streams.
Blinking Rapidly: The device is connected to a video source and transmitting streams.
Blinking Slowly: The device is connected to the receiver but not to a video source.
Off: The device is powered off, or the device is neither connected to a video source nor the receiver.

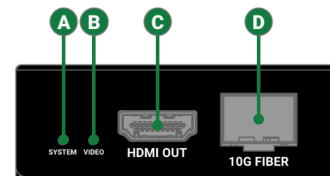
- B Video LED**
On: A stable video signal is detected.
Off: No video signal is detected.
- C HDMI Input** Connect to an HDMI source device.
- D Fiber Input** Connect to the 10G Fiber port of the receiver.

EXF-10M-5K Transmitter (Rear)



- A Power** Connect to the included 5V 2A DC power adapter.

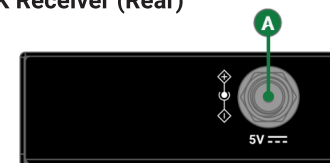
EXF-10M-5K Receiver (Front)



- A System LED**
Solid On: The device is connected to a display device but is not receiving any streams.
Blinking Rapidly: The device is connected to both a display device and the transmitter, and is receiving streams.
Blinking Slowly: The device is connected to the transmitter but not to a display.
Off: The device is powered off, or the device is neither connected to a display device nor the transmitter.

- B Video LED**
On: A stable video signal is present at the output.
Off: No video signal is present at the output.
- C HDMI Output** Connect to an HDMI display device.
- D Fiber Input** Connect to the 10G Fiber port of the transmitter.

EXF-10M-5K Receiver (Rear)



- A Power** Connect to the included 5V 2A DC power adapter.

Wiring and Connections

WyreStorm recommends that all wiring for the installation is run and terminated prior to making connections to the extender. Read through this section in its entirety before running or terminating any wires to ensure proper operation and to avoid damaging the equipment.

IMPORTANT! Wiring Guidelines

- The use of patch panels, wall plates, cable extenders, kinks in cables, and electrical or environmental interference will have an adverse effect on signal transmission which may limit performance. Steps should be taken to minimize or remove these factors completely during installation for best results.
- WyreStorm recommends using pre-terminated HDMI cables due to the complexity of these connector types. Using pre-terminated cables will ensure that these connections are accurate and will not interfere with the performance of the product.

Troubleshooting

No or Poor Quality Picture (snow or noisy image)

- Verify that all HDMI and fiber connections are not loose and are functioning properly.
- Verify that the fiber cable is properly terminated.
- Verify that the output resolution of the source and display is supported by this extender.
- Configure source to a lower resolution.
- If transmitting 3D or 4K, verify that the HDMI cables used are 3D or 4K rated.

Troubleshooting Tips:

WyreStorm recommends using a cable tester or connecting the cable to other devices to verify functionality.

Specifications

Audio and Video	
Inputs	TX: 1x HDMI 2.0 (Type-A female) RX: 1x 10G FIBER (SFP+)
Outputs	TX: 1x 10G FIBER (SFP+) RX: 1x HDMI 2.0 (Type-A female)
Video Encoding	SDVoE / Non-compression
Fiber Data Rate	10Gbps
HDMI Data Rate	18Gbps
Audio Formats	LPCM (2.0/5.1/7.1 ch, 44.1/48/96/192 kHz) Dolby True HD (up to 7.1, 192kHz) DTS-HD Master (up to 7.1, 192kHz)
Video Resolutions (max)	5120x2160@60Hz (4:2:0), 5120x2160@30Hz (4:4:4), 5120x1440@30Hz (4:4:4), 4096x2160@60Hz (4:4:4), 3840x2160@60Hz (4:4:4) Supports 1080p up to 240Hz
Supported Standards	HDMI 2.0, HDCP 2.3, HDR10, HDR10+, HLG, Dolby Vision (low latency)
Performance	Zero end to end frame latency (<120µs)
Transmission Distance	10KM
Communication & Control	
EDID Setting	EDID Passthrough
Firmware Update	AVP Upgrader (Demo Tool) via Ethernet switch
Power	
Power Supply	5V DC 2A
DC Connector	5.5/2.1 DC connector with screw lock
Environmental	
Operating Temperature	0°C to 45°C (32°F to 113°F)
Storage Temperature	-20°C to 70°C (-4°F to 158°F)
Humidity	10% to 90%, non-condensing
ESD Protection	Human-body Model ±8kV (Air-gap discharge) / ±4kV (Contact discharge)
Dimensions	
Height	22mm / 0.866"
Width	64mm / 2.52"
Depth	87mm / 3.43"
Weight	0.35lbs
Regulatory	
Safety and Emission	CE RoHS RCM EAC UKCA

Note: WyreStorm reserves the right to change product specification, appearance or dimensions of this product at any time without prior notice.

Warranty Information

WyreStorm Technologies ProAV Corporation warrants that its products to be free from defects in material and workmanship under normal use for a period of five (5) years from the date of purchase. Refer to the Product Warranty page on wyrestorm.com for more details on our limited product warranty.

